



# The Vanguard of Industrial Power & Heavy Machinery

Corporate Credentialing Profile | Venezuela

---

**IMPEXPAR, C.A.**  
**CARACAS-VENEZUELA**



**PROFILE**

# The Industrial Manifesto

**IMPEXPAR, C.A. is the undisputed, multi-generational leader in the procurement, distribution, and specialized servicing of heavy machinery in Venezuela. We engineer solutions for the most extreme and demanding environments.**

## **Oil & Gas**

Upstream & Downstream infrastructure

## **Heavy Industry**

Manufacturing & Processing

## **Mining**

High-capacity extraction zones

## **Government Infrastructure**

Large-scale tender execution



# Strategic Core Operations Matrix



## Power Generation

Diesel and Gas systems (400 kW to 6 MW),  
Associated Petroleum Gas (APG) skids,  
Dual-Fuel conversions.



## Heavy Construction & Lifting

Medium to large-scale machinery, industrial  
cranes, high-capacity loading equipment.



## Fluid Management

Advanced industrial pumping and filtration  
systems engineered for the hydrocarbon  
industry.



## Ultra-High Pressure Technology

Specialized water-jetting machinery for extreme  
industrial-grade cleaning and maintenance.



## Environmental & Municipal

Industrial cleaning and municipal infrastructure  
maintenance equipment.



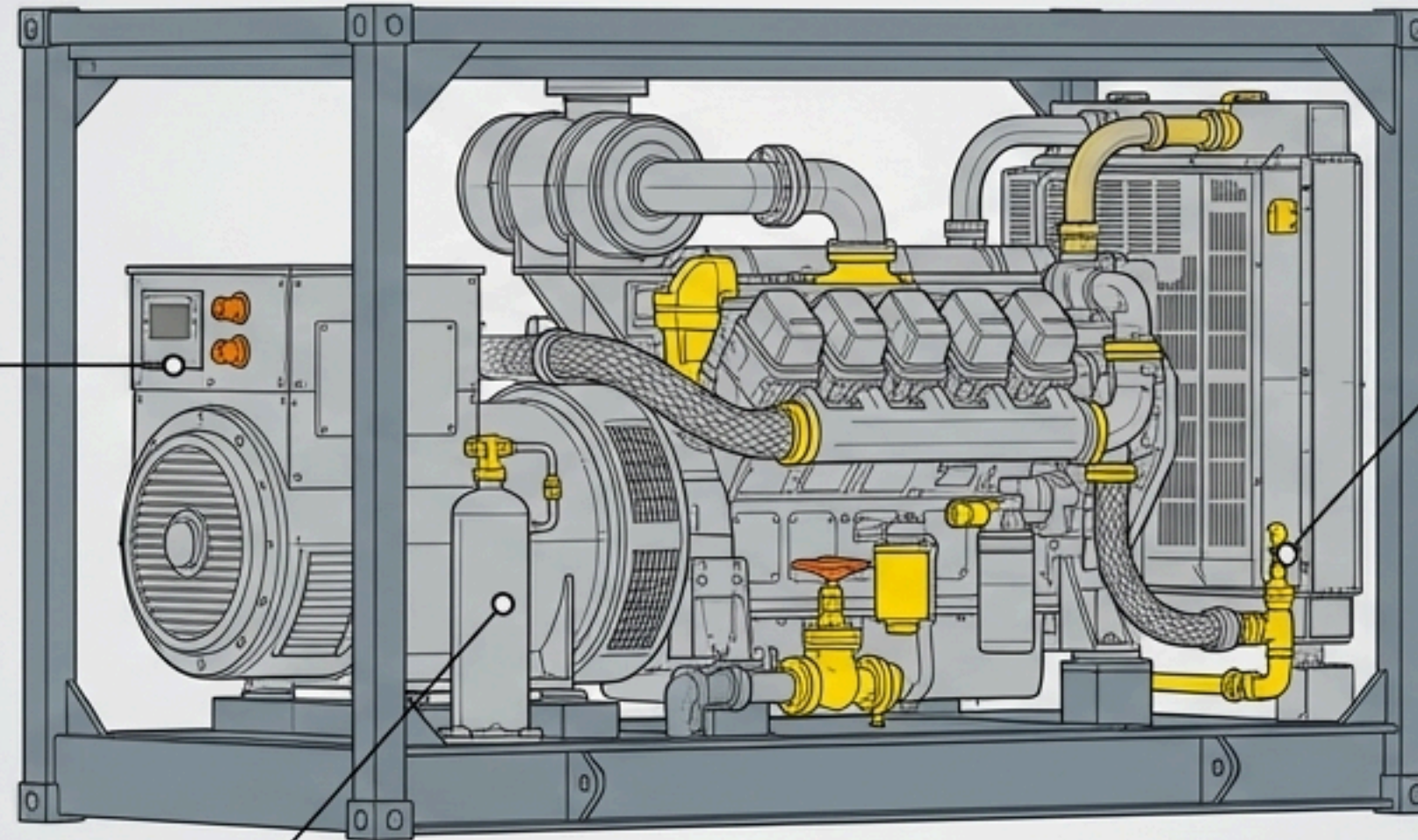
## Mining Extraction

Heavy-duty extraction machinery backed by a  
robust, global spare parts supply chain.

# Power Generation & Conversion Systems

## Capacity Range

DIN Pro: Massive continuous output from 400 kW to 6 MW.



## Dual-Fuel Technology

Seamless Diesel/Gas conversions engineered for on-site operational flexibility and fuel efficiency.

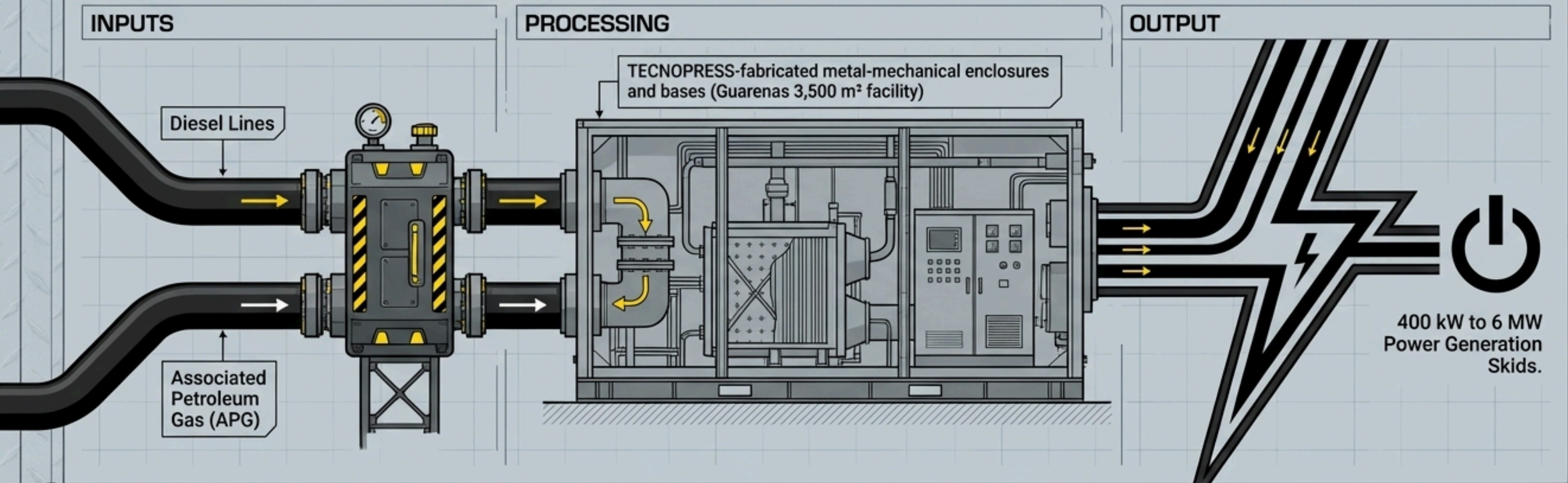
## APG Integration

Specialized Associated Petroleum Gas (APG) skids, capturing and converting flare gas into reliable power.



# POWER GENERATION & FLUID MANAGEMENT

## Dual-Fuel Integration Diagram



### FLUID MANAGEMENT & ULTRA-HIGH PRESSURE

Advanced industrial pumping, hydrocarbon filtration, and water-jetting systems for industrial-grade maintenance.



## **Mining Superiority**

Deployment of high-capacity extraction machinery built to withstand relentless operational cycles in extreme topographies.

## **Infrastructure Lifting**

Provision of medium to large-scale industrial cranes and loading equipment for structural macro-projects.

## **Uptime Guarantee**

Sustained by a relentless, globally-sourced spare parts supply chain designed to eliminate operational downtime.

# CONSTRUCTION & EARTHMOVING POWER

**XCMG | MUSTANG  
GEHL | YUCHAI**

## HEAVY LIFTING

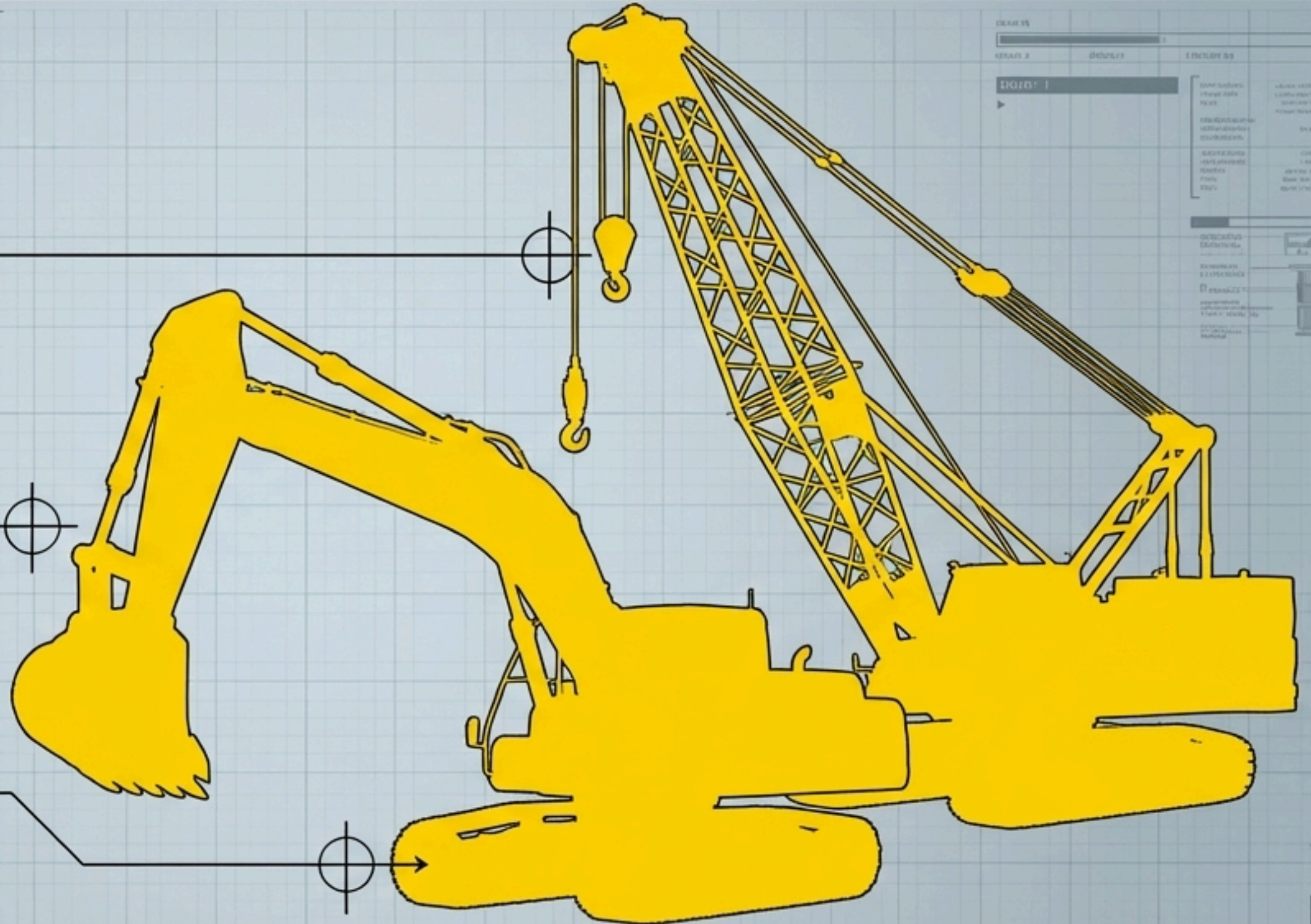
Medium to high-capacity cranes engineered for monumental infrastructure.

## EARTHMOVING POWER

Extreme-duty loading equipment and excavators.

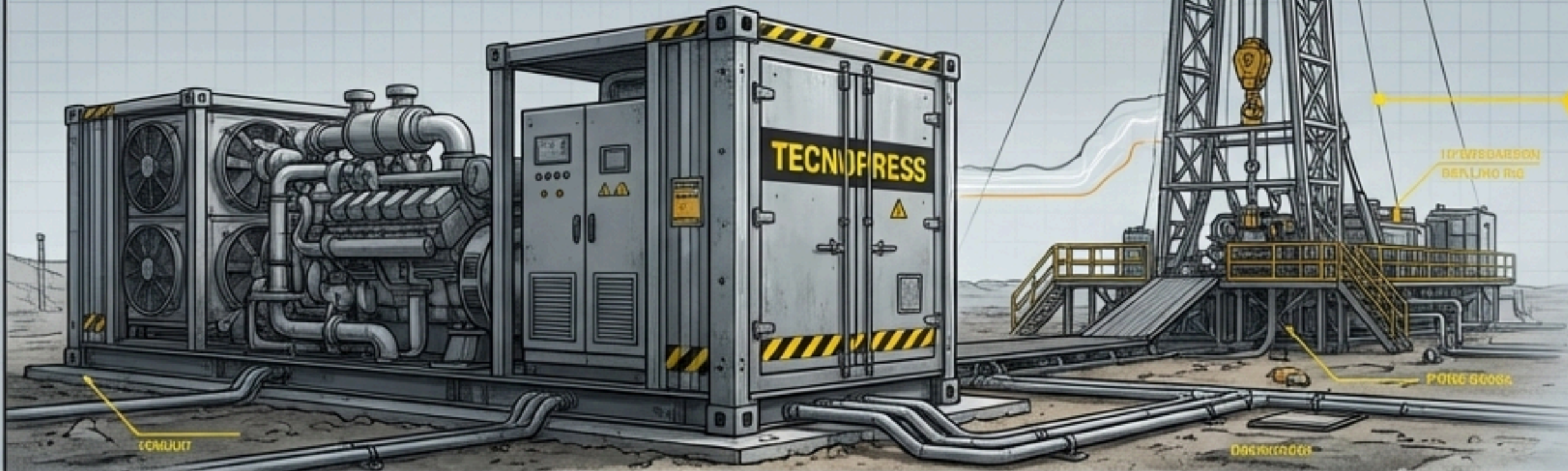
## SURFACE INFRASTRUCTURE

High-precision pavers and heavy construction assets.



# VISUAL PROOF OF PERFORMANCE II (POWER & INFRASTRUCTURE)

## POWER DEPLOYMENT



### FIELD INTELLIGENCE: POWER

6 MW Dual-Fuel deployment powering active hydrocarbon drilling sites. Featuring custom TECNOPRESS enclosures for extreme environment protection and acoustic attenuation.

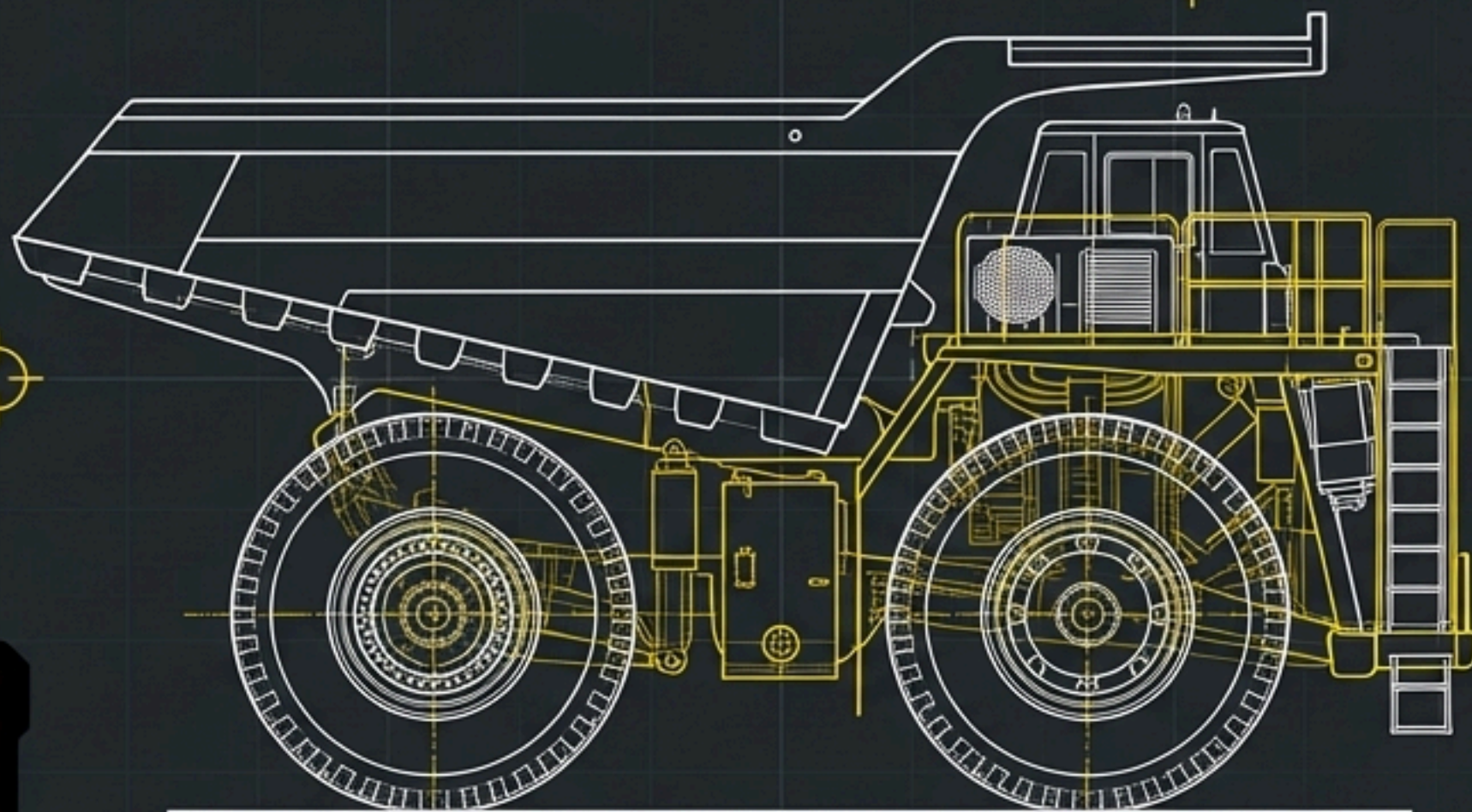
## INFRASTRUCTURE DEVELOPMENT



### FIELD INTELLIGENCE: INFRASTRUCTURE

High-capacity Mustang Gehl pavers and Carmix self-loading mixers operating in tandem on large-scale remote government infrastructure projects, ensuring rapid deployment and high-quality materials.

# MINING EXTRACTION SUPPLY CHAIN



## HEAVY-DUTY EXTRACTION

Supply and support of high-tonnage earthmovers and surface mining hardware.

## GLOBAL SUPPLY CHAIN

Robust, uninterrupted global spare parts pipeline directly supporting active extraction zones.

## STRATEGIC STAGING

Direct logistical support via the Ciudad Guayana heavy industry hub, built explicitly to serve the steel and mining sectors.

[ 70+ Pro Staff | 3,500 m<sup>2</sup> Warehousing | 650+ Dealers ]

# CONCRETE & SPECIALIZED LOGISTICS

## RAW INPUT



## FINISHED DEPLOYMENT



## CARMIX | D'AVINO

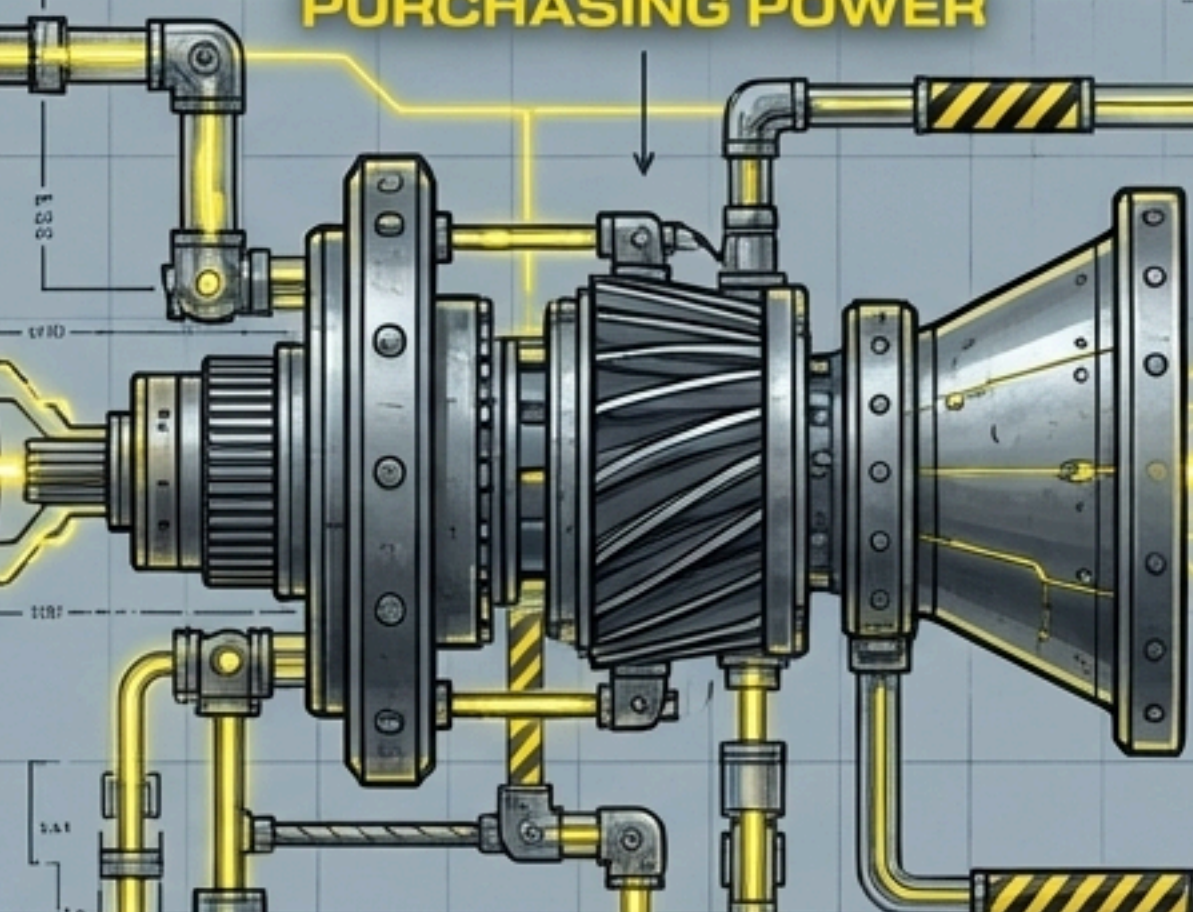
Domination in specialized concrete logistics and mixing. Deploying high-mobility 4x4 self-loading concrete mixers designed to operate in severe, unpaved topographies where standard transit mixers fail. Ensuring continuous supply for remote foundational infrastructure.

# THE SYNERGY ENGINE

THE VOLUME GEAR

CONGLOMERATE PURCHASING POWER

THE HEAVY-DUTY GEAR



**NATIONAL RETAIL DOMINANCE.**  
Wholesale market penetration across agricultural and hardware sectors via 650+ dealers.

**HEAVY INDUSTRIAL PROCUREMENT.**  
Leveraging economic strength to dominate multi-million dollar government tenders and global supply partnerships.

# 360-Degree Market Reach

# 650+

## Authorized Dealers Nationwide

1

### Heavy Industrial Execution

Multi-million dollar government and corporate macro-projects

2

### Agricultural Dominance

Powering the nation's core agricultural production sectors

3

### Hardware & Retail Integration

Complete market saturation down to the regional retail and wholesale distribution levels

[ 70+ Pro Staff | 3,500 m<sup>2</sup> Warehousing | 650+ Dealers ]

# LOGISTICAL SUPREMACY - TERRITORIAL BLUEPRINT



## LEGEND



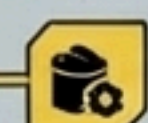
- **Caracas:** Corporate Headquarters & Administrative Hub.



- **Guatire:** 2,500 m<sup>2</sup> Main Operational Center & Workshop.



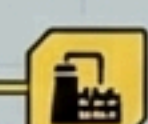
- **Maracaibo:** 1,800 m<sup>2</sup> Western Oil Field Machinery Yard.



- **Ciudad Guayana:** Strategic Base for Steel & Mining Sectors.



- **Margarita Island:** 1,800 m<sup>2</sup> Duty-Free Hub (Rapid Import Tenders).



- **Guarenas:** 3,500 m<sup>2</sup> TECNOPRESS Manufacturing Facility.

# Specialized Infrastructural Hubs



## TECNOPRESS (Guarenas Manufacturing)

3,500 m<sup>2</sup> Facility

Dedicated exclusively to the metal-mechanical fabrication of heavy-duty bases, industrial tanks, and sound-attenuated enclosures for power generation systems.



## Margarita Island (Duty-Free Hub)

1,800 m<sup>2</sup> Warehouse

Strategically located in the duty-free zone to process massive imports and ensure ultra-rapid delivery for urgent, large-scale government and industrial tenders.

# The Mobile Elite Force: 24/7 Remote Resolution



## Starlink Connectivity

Fleet equipped with satellite communications, guaranteeing uninterrupted technical data flow from the most isolated operation zones.

## Advanced Diagnostics

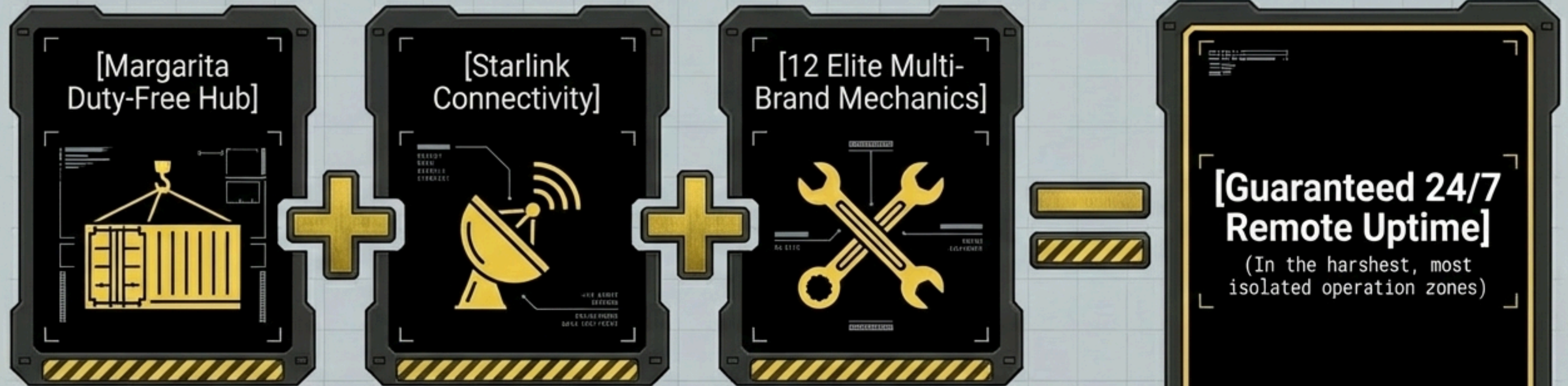
Trucks loaded with sophisticated, multi-brand electronic diagnostic tools.

## Always On

24/7 technical support and rapid intervention capability, neutralizing downtime in critical infrastructure projects.

# LOGISTICAL SUPREMACY - THE ELITE FIELD FORCE

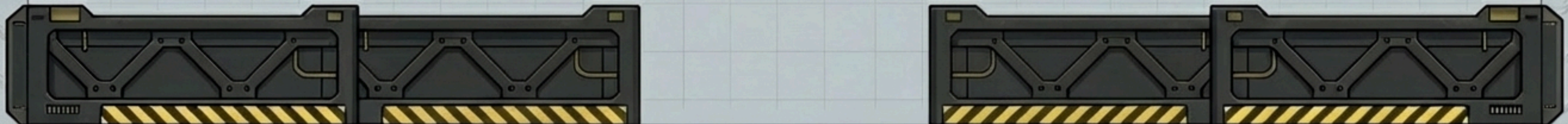
## THE REMOTE UPTIME ARCHITECTURE



**[Margarita Duty-Free Hub]**  
(Rapid Large-Scale Parts Import)

**[Starlink Connectivity]**  
(Heavy-duty fleet equipped with satellite comms and diagnostic tools)

**[12 Elite Multi-Brand Mechanics]**  
(Mobile heavy-duty strike force)



# Human Capital & Technical Honor

**70+**

## The Powerhouse Core

Specialized Professionals.

A deep roster of engineering talent, ensuring institutional reliability across all operational tiers.



## Strategic Execution

Project Managers & Sales Engineers.

Specialized in the navigation and execution of complex government tenders and macro-infrastructure projects.

**12**

## The Tactical Vanguard

Mobile Heavy-Duty Mechanics.

A highly trained, multi-brand mobile elite force executing critical field operations and rapid on-site resolutions.

# Technical Pedigree & Global Titans

Our engineers are subjected to continuous, rigorous international training with industry leaders, ensuring absolute adherence to global engineering standards.

<b>CUMMINS</b>	<b>ZF TRANSMISSIONS</b>	<b>DULEVO INTERNATIONAL</b>
<b>XCMG</b>	<b>MUSTANG GEHL</b>	<b>HYUNDAI ENGINES</b>
<b>MECC ALTE</b>	<b>YUCHAI, STEPP, CARMIX, D'AVINO</b>	<b>GENPAR (Proprietary Brand)</b>

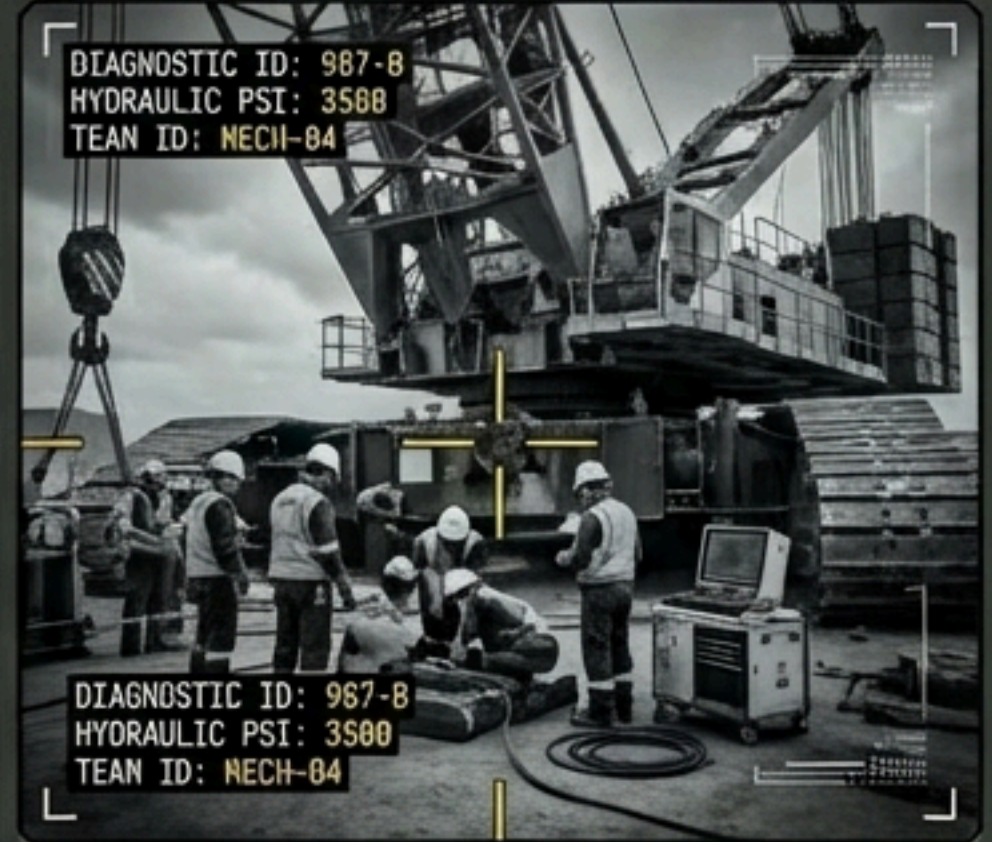
# VISUAL PROOF OF PERFORMANCE I (EARTHMOVING & MINING)



High-tonnage XCMG excavators moving earth in remote foundational site prep.



930E-class mining trucks dominating extraction zones, fully supported by the Ciudad Guayana hub.



Multi-brand field mechanic units conducting rapid, on-site diagnostics beneath massive heavy-lift cranes.

# THE IRON PORTFOLIO DEPLOYMENT MATRIX

	EARTHMOVING & CONSTRUCTION	POWER GENERATION	SPECIALIZED LOGISTICS	ENVIRONMENTAL & MUNICIPAL	MINING EXTRACTION
XCMG	X	X		X	X
MUSTANG GEHL	X		X	X	
YUCHAI		X			X
CUMMINS		X			X
HYUNDAI ENGINES	X	X			
CARMIX			X		
D'AVINO	X		X		
DULEVO				X	
STEPP				X	
MECC ALTE		X			
GENPAR		X	X		

CONTINUOUS INTERNATIONAL ENGINEERING TRAINING WITH PARTNERS LIKE CUMMINS, ZF TRANSMISSIONS, AND DULEVO INTERNATIONAL ENSURES FLAWLESS FIELD DEPLOYMENT OF EVERY BRAND REPRESENTED

# The Market Dominance Equation

## Legacy Core

7 Decades of industrial DNA and technical honor.



## Unmatched Scale

The GENPAR synergy and 650+ retail/wholesale nodes.



## Logistical Supremacy

6+ strategic national hubs and Starlink-equipped mobile fleets.



## Global Pedigree

Embedded partnerships with the world's foremost machinery titans.



**These four pillars interlock to create an institutional infrastructure that competitors cannot replicate. IMPEXPAR is not just a participant in the market; we are the market's foundation.**

# More Than a Distributor. An Institutional Pillar.

- Seven decades of technical pedigree.
- Unparalleled government and private market access.
- The undisputed vanguard of machinery and power.

**INITIATE GLOBAL SUPPLY PARTNERSHIP  
& TENDER SPECIFICATIONS.**